

# **SERVICE PARTS LIST FOR MITSUBISHI ELECTRIC PACKAGED AIR-CONDITIONERS**

**Series PEFY-P-VMH-A**

**Feb. 2001**

## **INDEX**

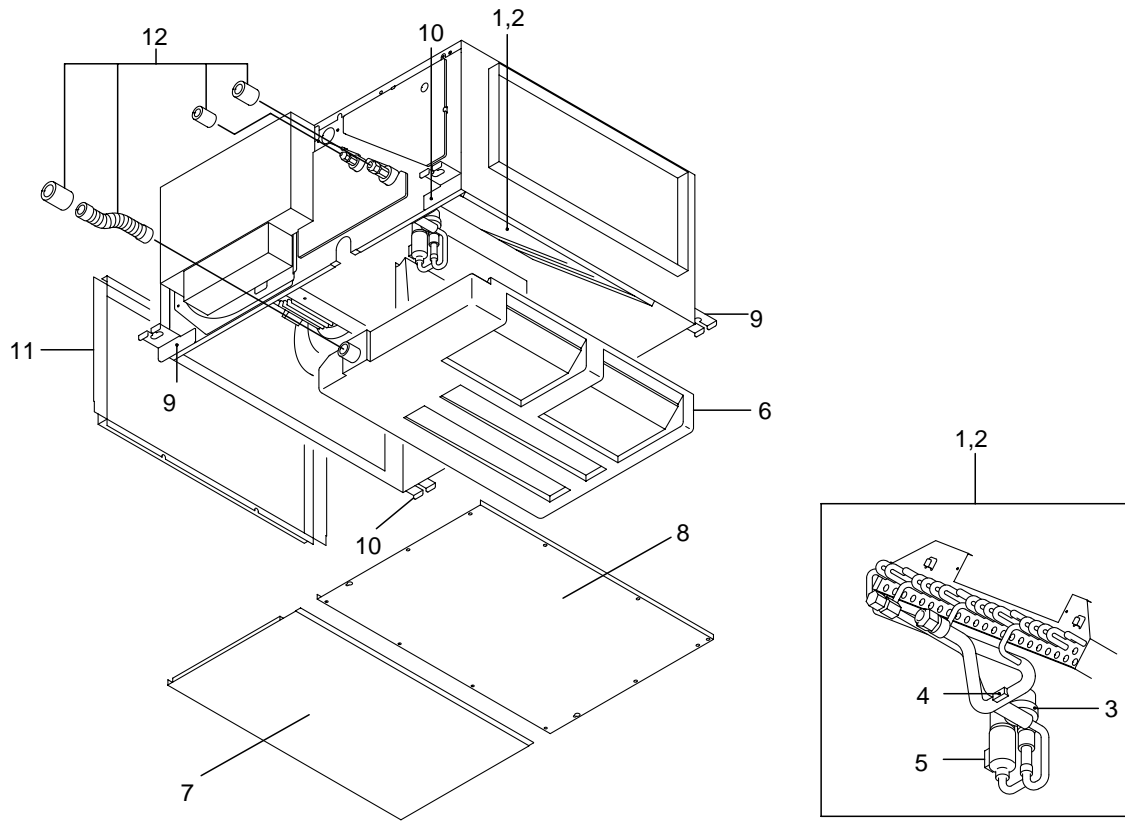
**PEFY-P40,50,63VMH-A**

**PEFY-P71,80VMH-A**

**PEFY-P100,125,140VMH-A**

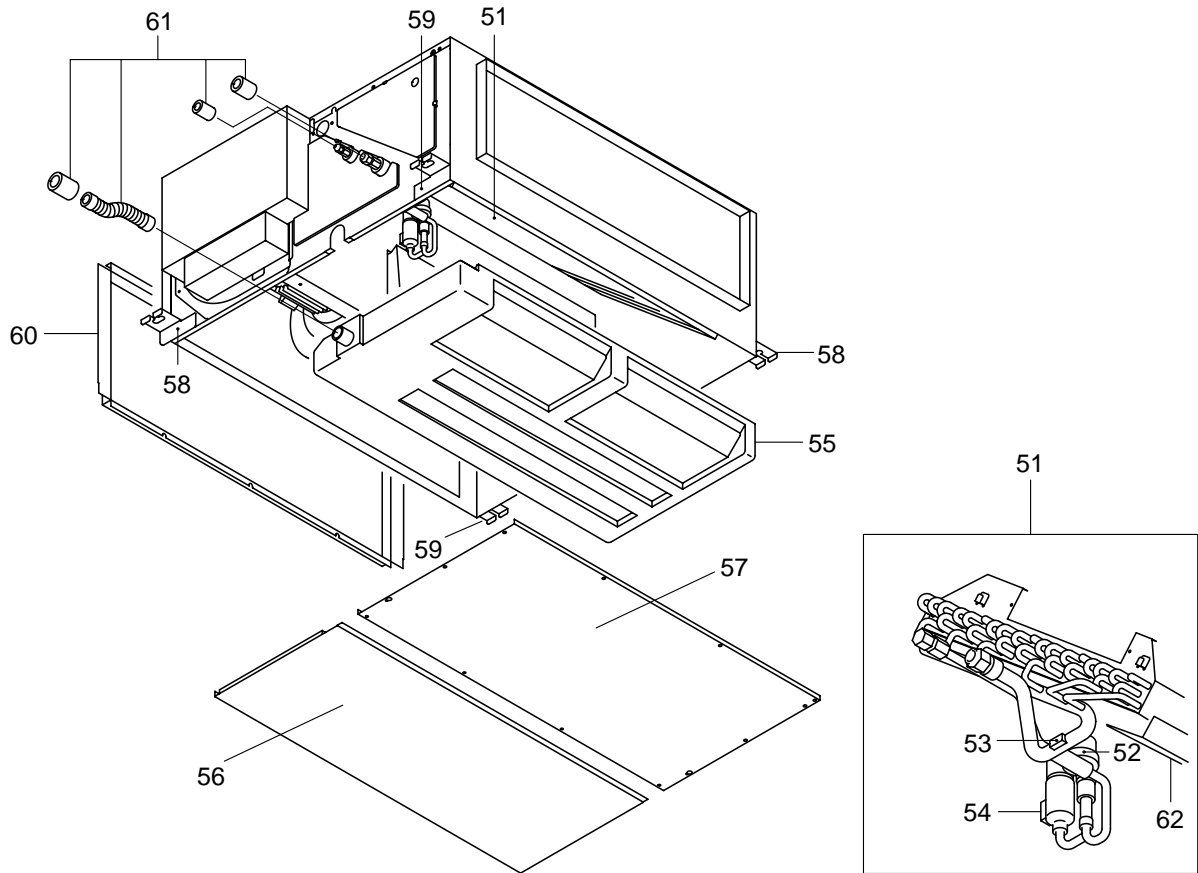
**PEFY-P200,250VMH-A**

PEFY-P40,50,63VMH-A  
EXTERNAL PARTS



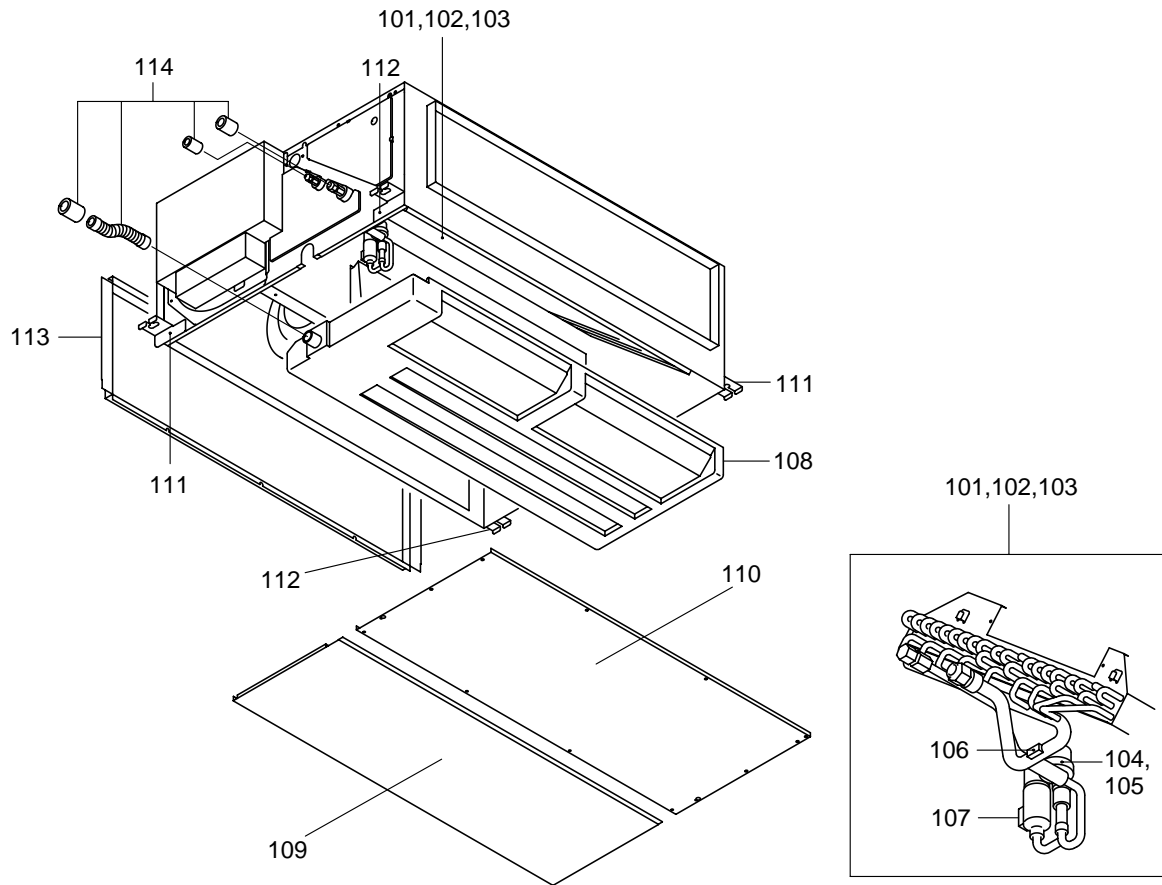
No.	Part No.	Part Name	Dwg. No.	Q'ty / Set				Spec.	Price
				-P40 VMH-A	-P50 VMH-A	-P63 VMH-A			
1	R61 F92 480	Heat exchanger ass'y P45	W263072G42	1					
2	R61 F93 480	Heat exchanger ass'y P56	W263072G43		1	1			
3	R61 358 401	Linear expansion valve	P632255X01	1	1	1	EDM-402		
4	R61 358 203	Thermistor	P425458X02	1	1	1	<TH23>		
5	R61 358 202	Thermistor	P425459X02	1	1	1	<TH22>		
6	R61 F85 529	Drain pan71	W122290G07	1	1	1			
7	R61 F85 661	Bottom plate ass'y 45	W627491G04	1	1	1			
8	R61 F92 661	Bottom plate A45 ass'y	W628696G01	1	1	1			
9	R61 F85 326	Hanging metal fittings D	W398771H03	2	2	2			
10	R61 F86 326	Hanging metal fittings D	W398771H04	2	2	2			
11	R61 F85 457	Flange ass'y 45	W627459G01	1	1	1			
12	R61 F85 525	Drain hose set	P645065X01	1	1	1			

PEFY-P71,80VMH-A  
EXTERNAL PARTS



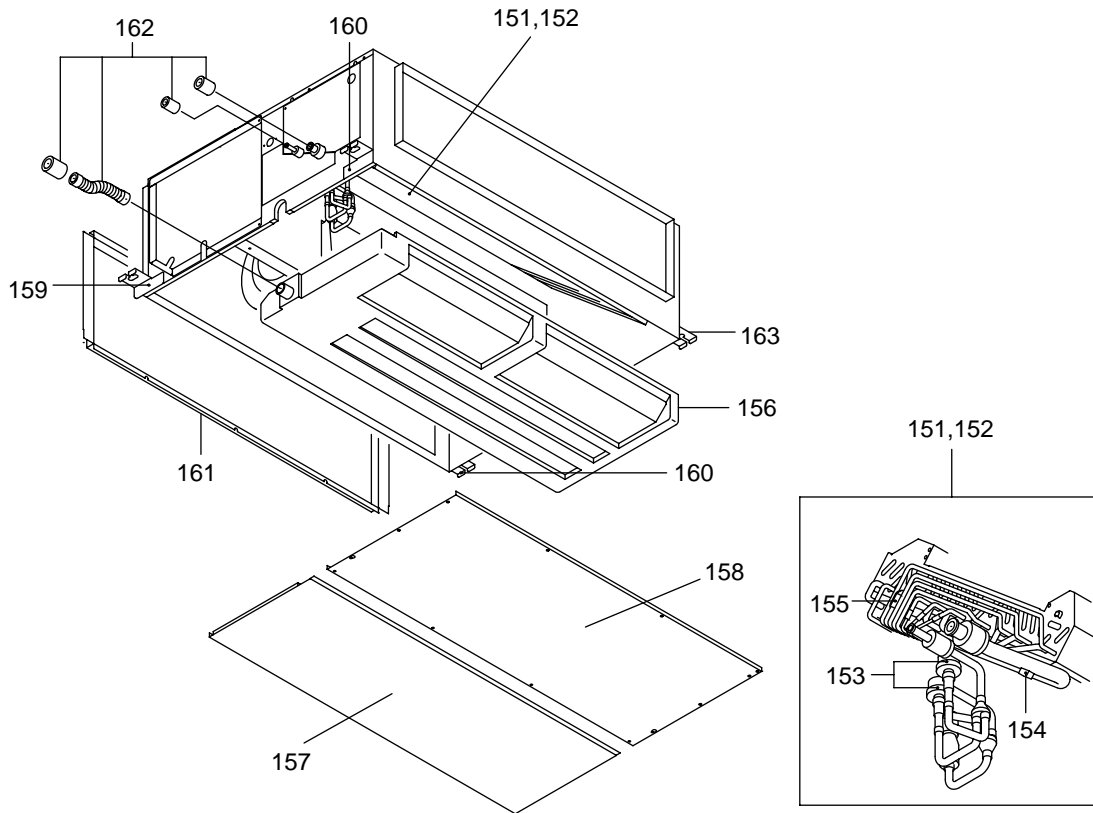
No.	Part No.	Part Name	Dwg. No.	Q'ty / Set				Spec.	Price
				-P71 VMH-A	-P80 VMH-A				
51	R61 F94 480	Heat exchanger ass'y P80	W263072G44	1	1				
52	R61 361 401	Linear expansion valve	P632257X01	1	1		EDM-804		
53	R61 358 203	Thermistor	P425458X02	1	1		<TH23>		
54	R61 358 202	Thermistor	P425459X02	1	1		<TH22>		
55	R61 F88 529	Drain pan 90	W122290G08	1	1				
56	R61 F88 661	Bottom plate ass'y 80	W627491G05	1	1				
57	R61 F94 661	Bottom plate A80 ass'y	W628696G02	1	1				
58	R61 F85 326	Hanging metal fittings D	W398771H03	2	2				
59	R61 F86 326	Hanging metal fittings D	W398771H04	2	2				
60	R61 F88 457	Flange ass'y 80	W627459G02	1	1				
61	R61 F85 525	Drain hose set	P645065X01	1	1				
62	R61 F88 667	Partition board	W868141G01	1	1				

PEFY-P100,125,140VMH-A  
EXTERNAL PARTS



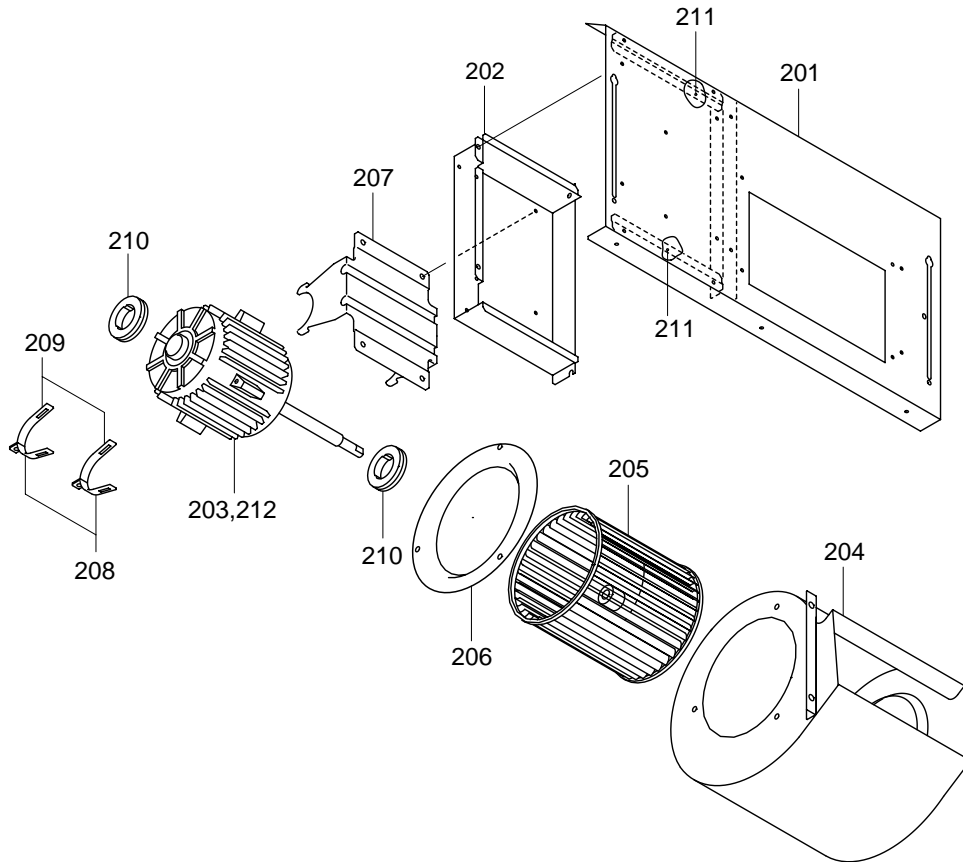
No.	Part No.	Part Name	Dwg. No.	Q'ty / Set			Spec.	Price
				-P100 VMH-A	-P125 VMH-A	-P140 VMH-A		
101	R61 F95 480	Heat exchanger ass'y P112	W263072G45	1				
102	R61 F96 480	Heat exchanger ass'y P140	W263072G46		1			
103	R61 G87 480	Heat exchanger ass'y P160	W263072G36			1		
104	R61 361 401	Linear expansion valve	P632257X01	1	1		EDM-804	
105	R61 364 401	Linear expansion valve	P632259X01			1	EDM-1004	
106	R61 358 203	Thermistor	P425458X02	1	1	1	<TH23>	
107	R61 358 202	Thermistor	P425459X02	1	1	1	<TH22>	
108	R61 F90 529	Drain pan 140	W122290G09	1	1	1		
109	R61 F90 661	Bottom plate ass'y112	W627491G06	1	1	1		
110	R61 F95 661	Bottom plate A112 ass'y	W628696G03	1	1	1		
111	R61 F85 326	Hanging metal fittings D	W398771H03	2	2	2		
112	R61 F86 326	Hanging metal fittings D	W398771H04	2	2	2		
113	R61 F90 457	Flange ass'y 112	W627459G03	1	1	1		
114	R61 F85 525	Drain hose set	P645065X01	1	1	1		

PEFY-P200,250VMH-A  
 EXTERNAL PARTS



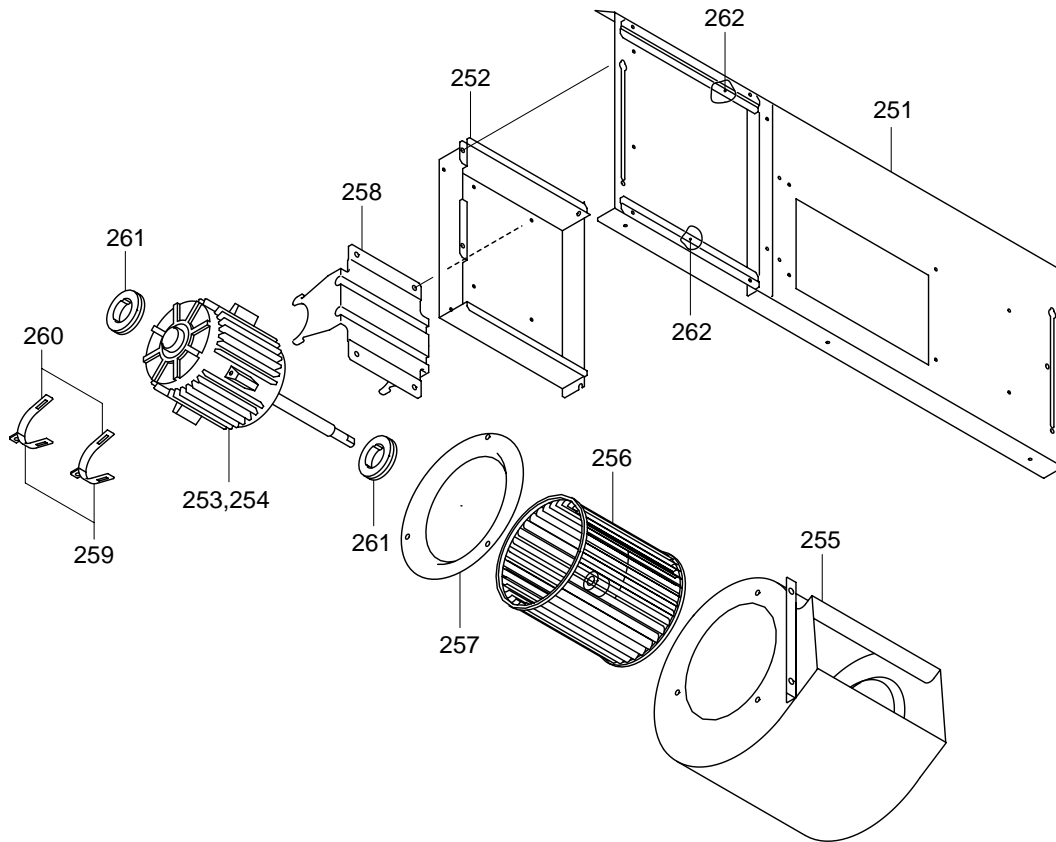
No.	Part No.	Part Name	Dwg. No.	Q'ty / Set				Spec.	Price
				-P200 VMH-A	-P250 VMH-A				
151	R61 Y01 481	Heat exchanger ass'y P224	W268110G03	1					
152	R61 Y02 481	Heat exchanger ass'y P280	W268110G04		1				
153	R61 361 401	Linear expansion valve	P632257X01	2	2		EDM-804		
154	R61 358 203	Thermistor	P425458X02	1	1				
155	R61 358 202	Thermistor	P425459X02	1	1				
156	R61 H42 529	Drain pan 224	W125114G01	1	1				
157	R61 H42 661	Bottom plate ass'y 224	W627491G07	1	1				
158	R61 H43 661	Bottom plate A224 ass'y	W628696G04	1	1				
159	R61 F85 326	Hanging metal fittings D	W398771H03	1	1				
160	R61 F86 326	Hanging metal fittings D	W398771H04	2	2				
161	R61 H42 457	Flange ass'y	W630285G01	1	1				
162	R61 H20 525	Drain hose set	P645068X01	1	1				
163	R61 H42 326	Hanging metal fittings	W871827G01	1	1				

PEFY-P40,50,63VMH-A  
BLOWER PARTS



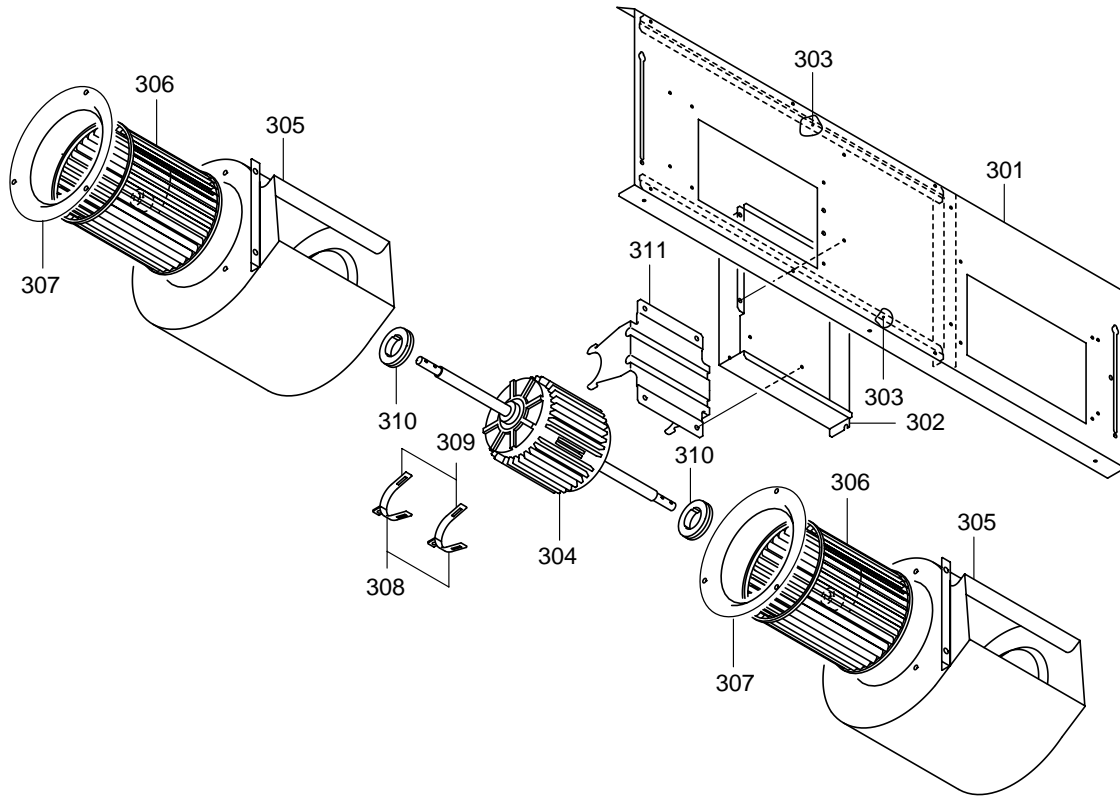
No.	Part No.	Part Name	Dwg. No.	Q'ty / Set			Spec.	Price
				-P40 VMH-A	-P50 VMH-A	-P63 VMH-A		
201	R61 F85 140	Fan stand 45	W263051H03	1	1	1		
202	R61 Y15 140	Motor stand	W627910H05	1	1	1		
203	R61 Y24 221	Motor P63H	P714693X02			1		
204	R61 F85 110	Fan casing	W122291G01	1	1	1		
205	R61 F85 114	Sirocco fan	W122292G02	1	1	1		
206	R61 F85 119	Bell mouth	W866104H01	1	1	1		
207	R61 772 130	Leg	R02G131H07	1	1	1		
208	R60 507 131	Fixing plate	R02F328H09	2	2	2		
209	R60 507 132	Fixing plate(with the nut)	R02F328G84	2	2	2		
210	R61 755 104	Rubber bush	R31F676H01	2	2	2		
211	R61 F85 573	Guide 71	W866123H01	2	2	2		
212	R61 Y27 221	Motor	P714692X02	1	1		P40H	

PEFY-P71,80VMH-A  
BLOWER PARTS



No.	Part No.	Part Name	Dwg. No.	Q'ty / Set				Spec.	Price
				-P71 VMH-A	-P80 VMH-A				
251	R61 F88 140	Fan stand 80	W263052H03	1	1				
252	R61 F85 133	Motor stand	W627464H05	1	1				
253	R61 Y25 221	Motor P71H	P714694X02	1					
254	R61 Y26 221	Motor P80H	P714695X02		1				
255	R61 F85 110	Fancasing	W122291G01	1	1				
256	R61 F85 114	Sirocco fan	W122292G02	1	1				
257	R61 F85 119	Bell mouth	W866104H01	1	1				
258	R61772 130	Leg	R02G131H07	1	1				
259	R60 507 131	Fixing plate	R02F328H09	2	2				
260	R60 507 132	Fixing plate(with the nut)	R02F328G84	2	2				
261	R61 755 104	Rubber bush	R31F676H01	2	2				
262	R61 F88 573	Guide 80	W866123H02	2	2				

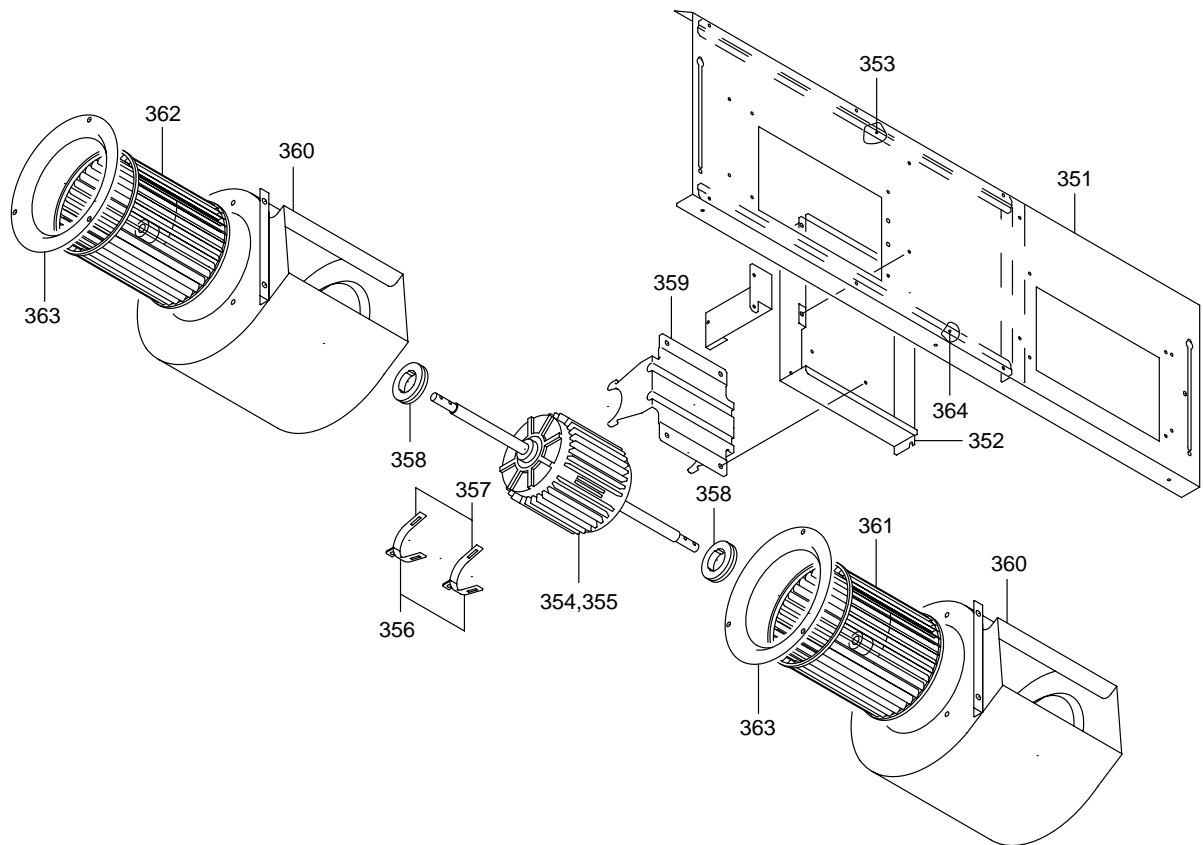
PEFY-P100,125,140VMH-A  
BLOWER PARTS



No.	Part No.	Part Name	Dwg. No.	Q'ty / Set			Spec.	Price
				-P100 VMH-A	-P125 VMH-A	-P140 VMH-A		
301	R61 G86 140	Fan stand 112	W263037H04	1	1	1		
302	R61 F85 133	Motor stand	W627464H05	1	1	1		
303	R61 F90 573	Guide 112	W866123H03	2	2	2		
304	R61 Y28 221	Motor	P714696X02	1	1	1	P100H	
305	R61 F85 110	Fan casing	W122291G01	2	2	2		
306	R61 F85 114	Sirocco fan	W122292G02	2	2	2		
307	R61 F85 119	Bell mouth	W866104H01	2	2	2		
308	R60 508 131	Fixing plate	R02K338H02	2	2	2		
309	R60 508 132	Fixing plate(with the nut)	R02K338G82	2	2	2		
310	R61 Y01 104	Rubber bush	W860050H02	2	2	2		
311	R60 508 130	Leg	R02L922H02	1	1	1		

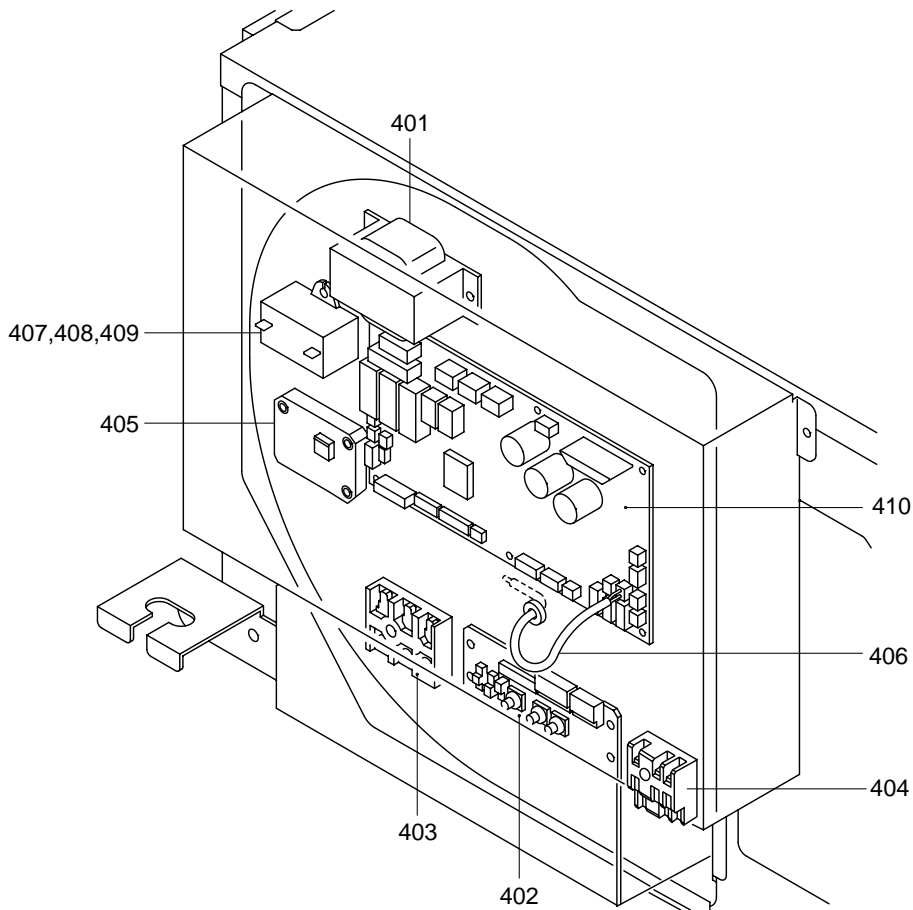


PEFY-P200,250VMH-A  
BLOWER PARTS



No.	Part No.	Part Name	Dwg. No.	Q'ty / Set				Spec.	Price
				-P200 VMH-A	-P250 VMH-A				
351	R61 H42 140	Fan stand	W631853G01	1	1				
352	R61 H42 133	Motor stand	W630282H04	1	1				
353	R61 H42 573	Guide	W866123H04	1	1				
354	R61 Y29 221	Motor	P714679X01	1					
355	R61 Y30 221	Motor	P714680X01		1				
356	R60 508 131	Fixing plate	R02K338H02	2	2				
357	R60 508 132	Fixing plate(with the nut)	R02K338G82	2	2				
358	R61 Y01 104	Rubber bush	W860050H02	2	2				
359	R60 508 130	Leg	R02L922H02	1	1				
360	R61 H20 110	Fan casing	W264318G01	2	2				
361	R60 311 114	Sirocco fan ass'y	R00C723G85	1	1				
362	R60 311 115	Sirocco fan ass'y	R00C723G86	1	1				
363	R61 249 119	Bell mouth	R02F474H03	2	2				
364	R61 H43 573	Guide 224	W866123H05	1	1				

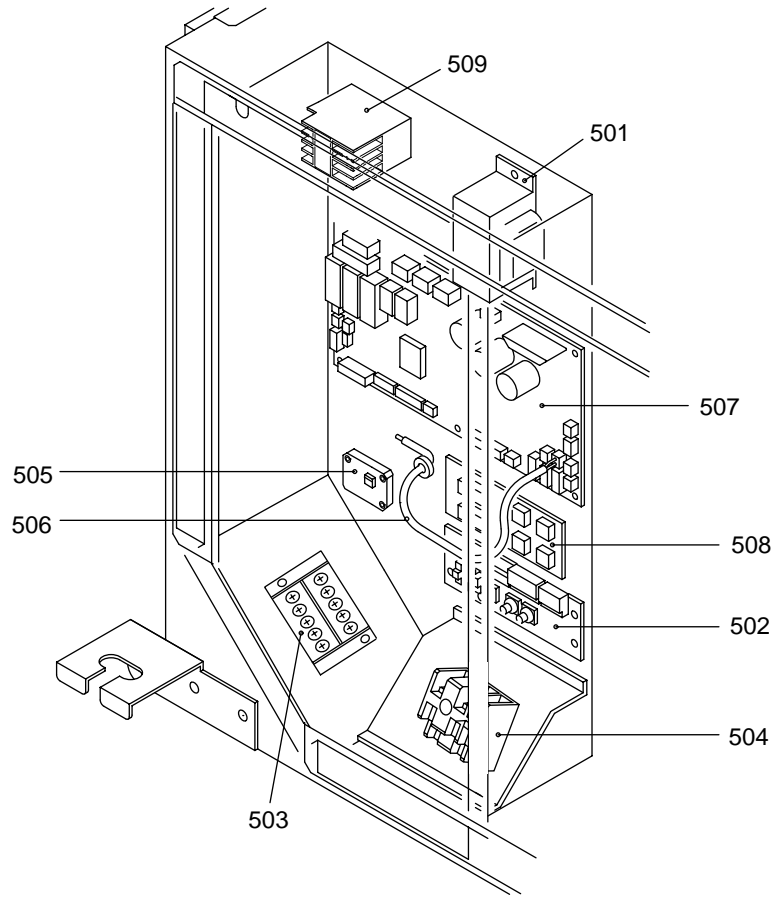
PEFY-P40,50,63,71VMH-A  
CONTROL BOX PARTS



No.	Part No.	Part Name	Dwg. No.	Q'ty / Set				Spec.	Price
				-P40 VMH-A	-P50 VMH-A	-P63 VMH-A	-P71 VMH-A		
401	R61 Y08 260	Transformer	P715268X02	1	1	1	1	240/23.5V-0.9A VH	
402	R61 Y77 280	Board ass'y AD	W849036G06	1	1	1	1		
403	R61 Y08 715	Terminal bed	P436157X01	1	1	1	1	<TB2>	
404	R61 336 246	Terminal bed	P436114X03	1	1	1	1	<TB5>,<TB15>	
405	R61 Y22 280	Board ass'y FP-DSA	W848419G01	1	1	1	1		
406	R61 373 202	Thermistor	P425455X01	1	1	1	1		
407	R61 E65 252	Condenser 3UF	P412204X01	1	1			440AC	
408	R61 Y08 252	Condenser 4UF	P412209X01			1			
409	R61 F79 252	Condenser 5UF	P412214X01				1		
410	R61 Y78 280	Board ass'y RY	W849036G05	1	1	1	1		



PEFY-P200,250VMH-A  
CONTROL BOX PARTS



No.	Part No.	Part Name	Dwg. No.	Q'ty / Set				Spec.	Price
				-P200 VMH-A	-P250 VMH-A				
501	R61 Y08 260	Transformer	P715268X02	1	1			240/23.5V-0.9A VH	
502	R61 Y77 280	Board ass'y AD	W849036G06	1	1				
503	R61 Y05 246	Terminal bed	P436151X01	1	1			LVD	
504	R61 336 246	Terminal bed	P436114X03	1	1			LVD	
505	R61 Y22 280	Board ass'y FP-DSA	W848419G01	1	1				
506	R61 373 202	Thermistor	P425455X01	1	1				
507	R61 Y78 280	Board ass'y RY	W849036G05	1	1				
508	R61 350 280	LEV adaptor board ass'y	W601714G02	1	1				
509	R61 Y02 226	Solenoid switch	S427019H02	1	1			MSO-N11AR	

